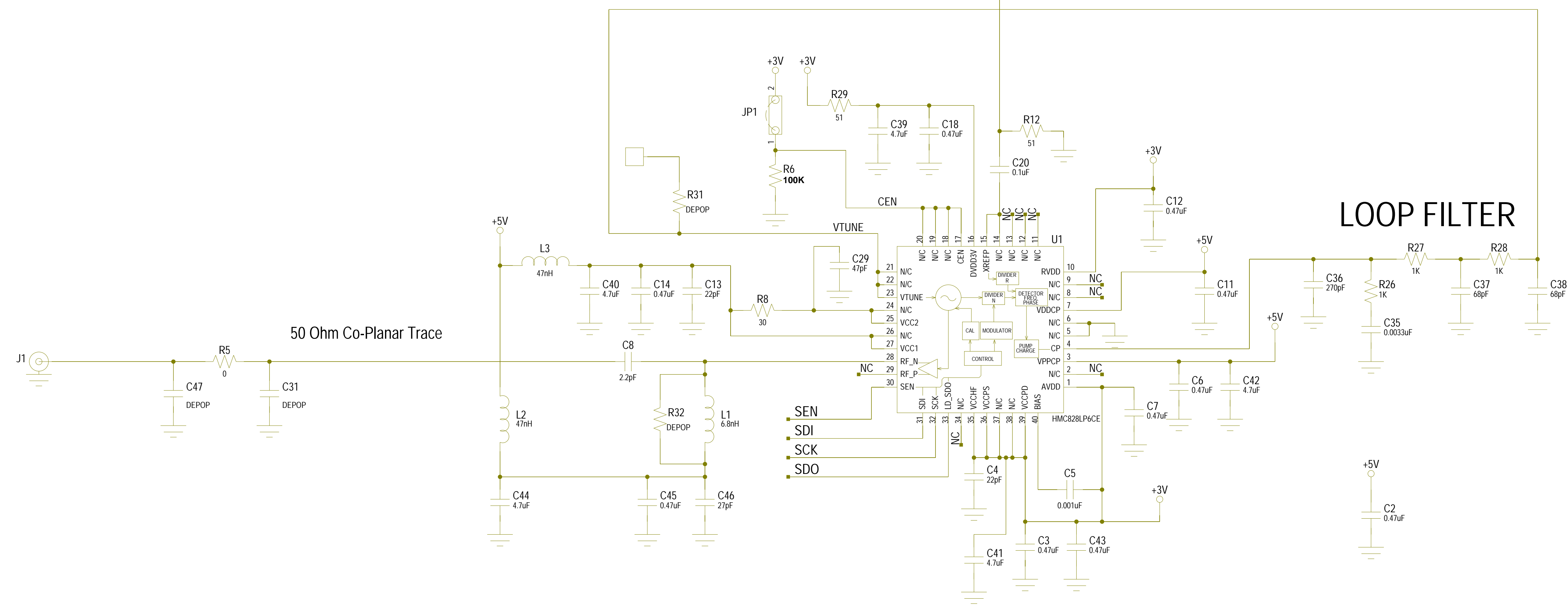
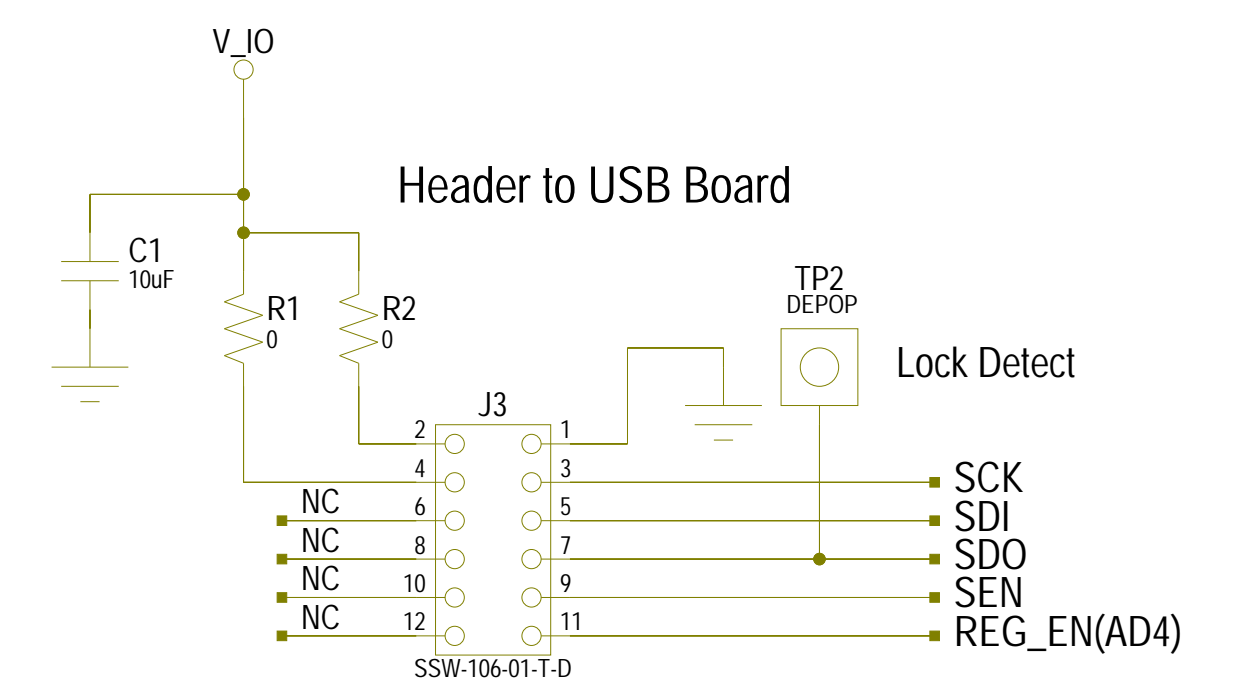
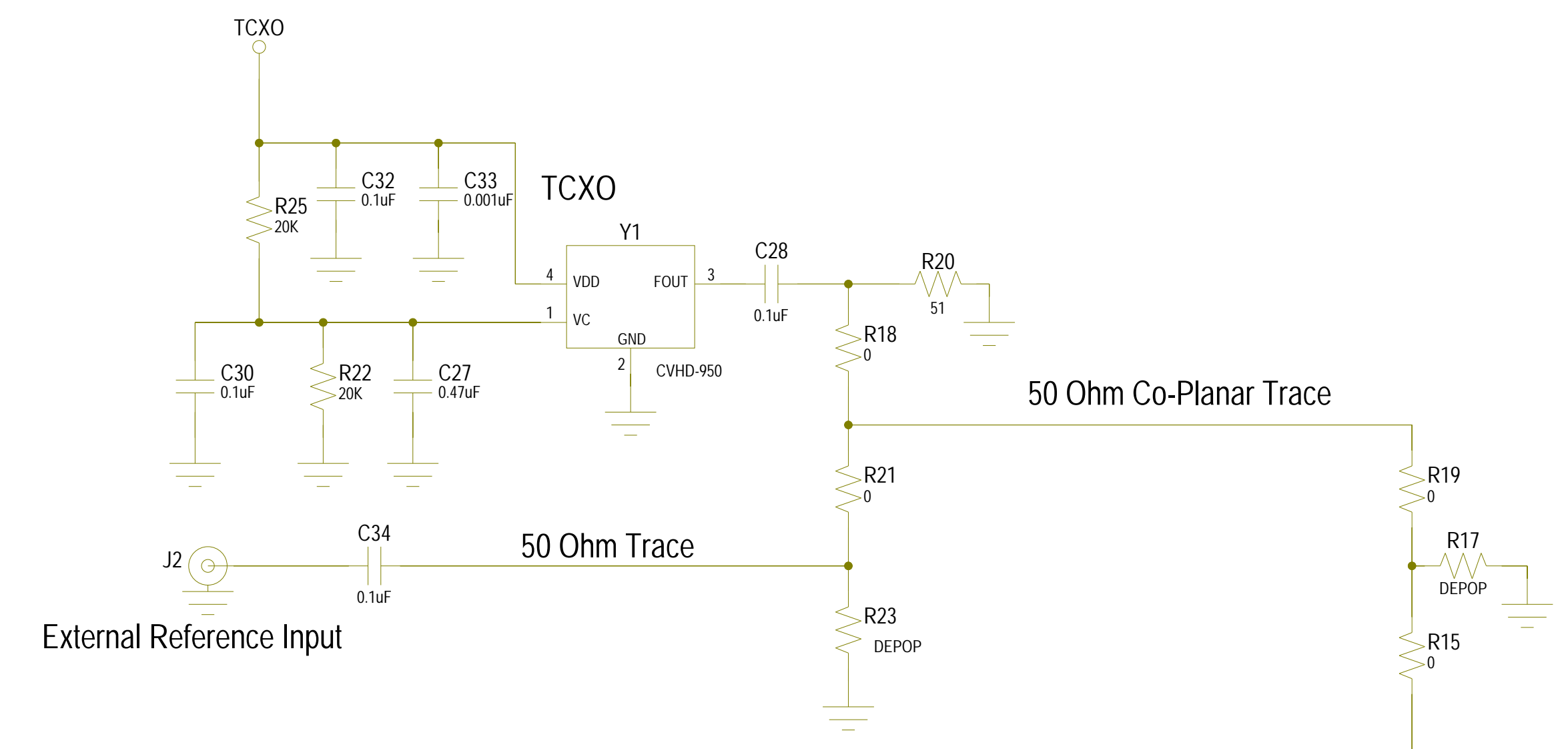
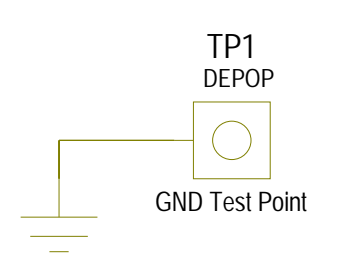


| REVISIONS | | | | | |
|-----------|----------|-------|-------------------------------------|-----------|------------|
| REV | ECN# | ZONE | DESCRIPTION | NAME | DATE |
| A | 20100115 | | PRODUCTION RELEASE PER ECN 20100115 | D. YOUNG | 24/01/10 |
| B | CP121275 | | PRODUCTION CHANGE PER CP 121275 | V. VADUVA | 09/14/2012 |

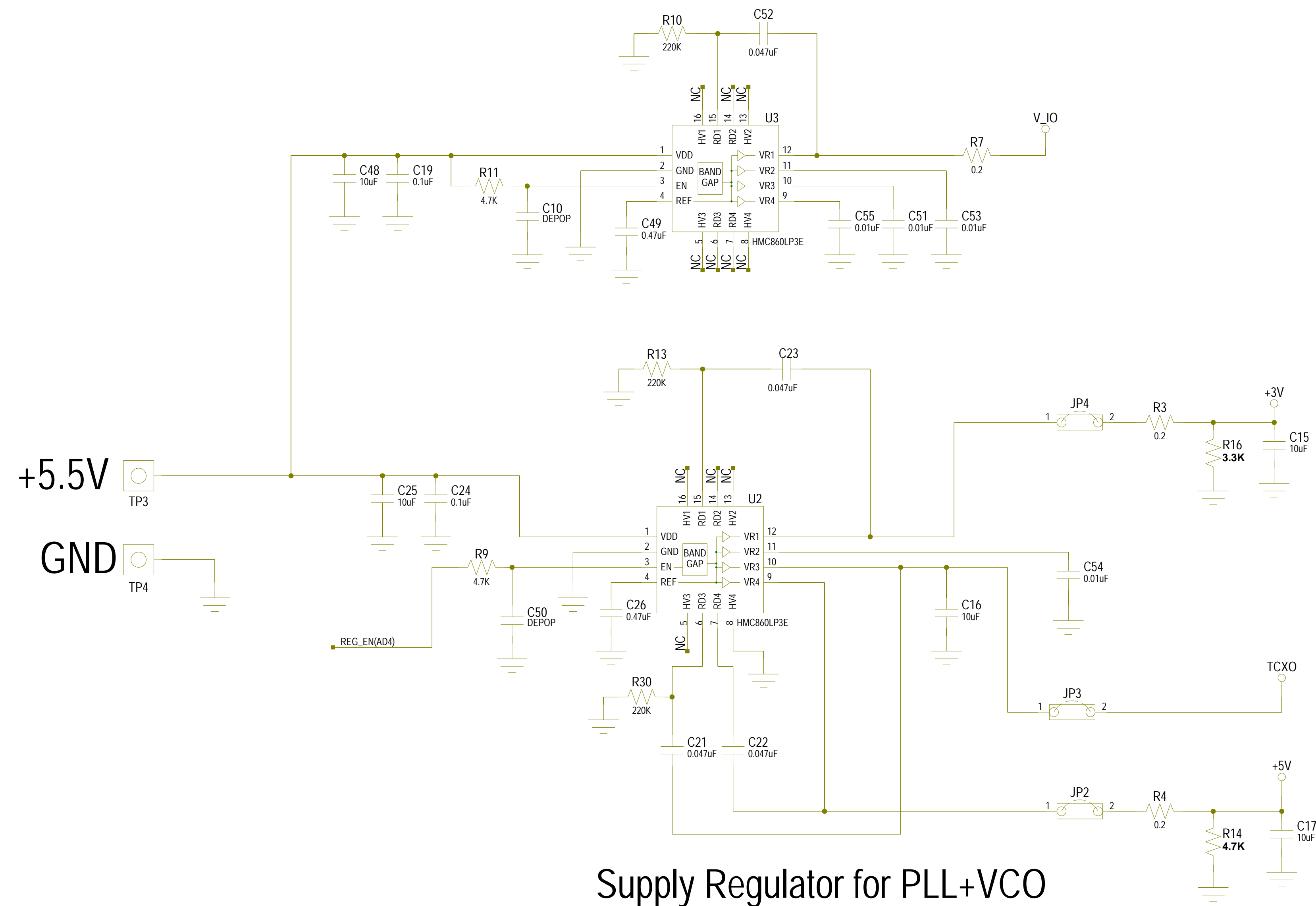


HMC828LP6CE Integrated PLL & VCO Eval




NOTICE OF PROPRIETARY PROPERTY: THIS DOCUMENT AND THE INFORMATION CONTAINED IN IT ARE THE PROPRIETARY PROPERTY OF HITTITE MICROWAVE CORPORATION. IT MAY NOT BE COPIED OR USED IN ANY MANNER NOR MAY ANY OF THE INFORMATION OR UPON IT BE USED FOR ANY PURPOSE, WITHOUT THE EXPRESSED WRITTEN CONSENT OF AN AUTHORIZED AGENT OF HITTITE MICROWAVE CORPORATION.

| | | | | | |
|--|--|---------|--|-------------|------------|
| HITTITE MICROWAVE CORPORATION 20 Alpha Rd Chelmsford, MA 01824 | | | | | |
| TITLE SCH, CUSTOMER EVALALUATION PLL & VCO | | | | | |
| PROJECT | | | | | |
| DRAWING #: | | 129270 | | SHEET | 1 OF 2 |
| DRAWN BY: | | D.YOUNG | | DATE | 10/01/2010 |
| | | | | CODE ID NO. | 1CN88 |
| | | | | SIZE | D |
| | | | | REV | B |



Supply Regulator for PLL+VCO

A recommended design practice is to connect the regulator Enable Pin #3 through a 4.7kOhm resistor to the system microcontroller/FPGA for power management control
 Small series resistors required in VR1 and VR4 output paths, as shown

| | |
|--|-----------------|
|  HITTITE MICROWAVE CORPORATION 20 Alpha Rd Chelmsford, MA 01824 | |
| TITLE SCH, CUSTOMER EVALALUATION PLL & VCO | |
| PROJECT DRAWING #: 129270 | |
| SHEET 2 OF 2 CODE ID NO. 1CN88 SIZE D REV B | |
| DRAWN BY D.YOUNG | DATE 10/01/2010 |